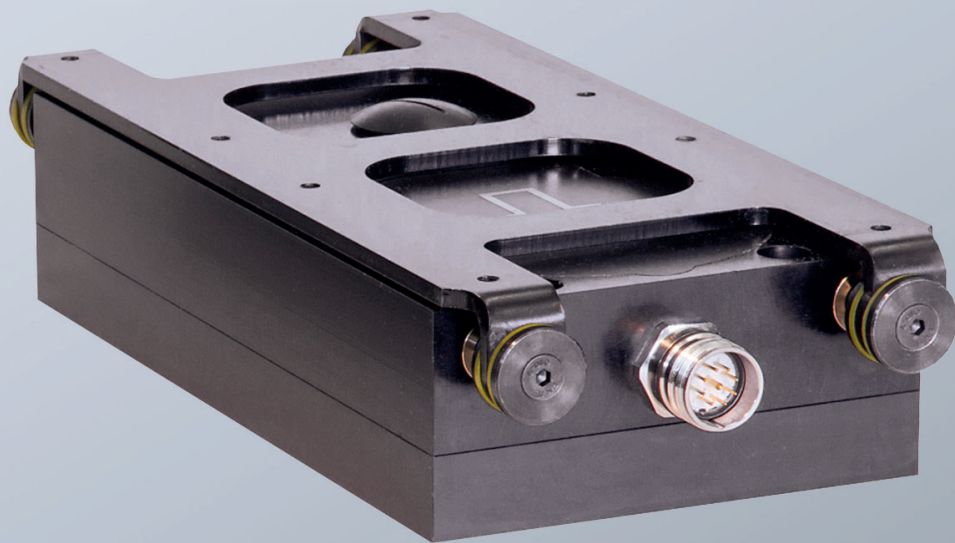


MOUNTING AND OPERATING INSTRUCTIONS

ELECTRIC TRANSPORTER BLACK LINE

2299.60.10100.00 / 2299.60.12100.00 / 2299.60.14100.00 /
2299.60.18100.00



Document: Mounting and operating instructions

Document number: 2.7826.02.0723.0100000

Language:



In the German language, this document is the original version in the EU language of the manufacturer and is labelled with the German national flag.

In the language of a country of use, this document is a translation of the original version and labelled with the national flag of the country of use.

This document is referred to as "instructions" in the following text.

Number of pages in this manual including the title page: 56

These instructions are valid for the product

2299.60.10100.00 / 2299.60.12100.00 / 2299.60.14100.00 / 2299.60.18100.00

Electric transporter BLACK LINE

This document was created by

FIBRO GMBH

August-Läpple-Weg

74855 Hassmersheim, Germany

Phone: +49 (0) 62 66 73 0

Fax: +49 (0) 62 66 73 237

E-mail: info@fibro.de

Internet: www.fibro.de

© All rights to this document are subject to copyright of the author.

Without the prior written permission of FIBRO GMBH, this document must not be copied or reproduced, either in full or in part.

The instructions are intended only for the operator of the described machine only and must therefore not be made available to uninvolved third parties - in particular to competitors.

Contents

1	Introduction	5
1.1	Definition	5
1.2	Intended use	5
1.3	Limits of use	5
1.4	Foreseeable misuse	6
1.5	Warranty	6
1.6	Manual	6
1.6.1	Target group	6
1.6.2	Legend	7
1.6.3	Figures	7
1.6.4	Safety instructions	8
1.6.5	General instructions	8
2	Safety	9
2.1	Safety information	9
2.1.1	Due diligence by the party first placing the product on the market	9
2.1.2	Qualifications of personnel	9
2.1.3	Personnel requirements	10
2.2	Residual risks	11
3	Product description	12
3.1	System structure and equipment	12
3.2	Function	13
3.3	Technical data	14
3.3.1	Type plate	18
3.3.2	Tightening torques	18
4	Transport	19
4.1	Transport damage	19
4.2	Interim storage	19
4.3	Return shipping	19
4.4	Disposing of the packaging material	19
5	Assembly	20
5.1	Important safety instructions	20
5.2	Preparation for mounting	21
5.3	Mounting material	23
5.4	Mounting electric transporter	32
5.5	Mounting single trough	33
5.6	Mounting profile bar	34
5.7	Mounting trough on profile bar	36
5.8	Trough support	39
6	Commissioning	40
7	Operation	41
7.1	Operation	41

8	Faults	42
8.1	Important safety instructions	42
8.2	Customer services	42
9	Servicing	43
9.1	Important safety instructions	43
9.2	Maintenance work	43
9.3	Inspection	44
9.4	Cleaning	44
9.5	Maintenance	45
9.6	Repairs	45
10	Disassembly and disposal	46
11	Service and spare parts	47
11.1	Service	47
11.2	Spare parts ordering	47
11.3	Spare parts	48
12	Indexes	49
12.1	Third-party products	49
12.2	Index of figures	49
12.3	Index of tables	49
13	Appendix	50
13.1	Declaration of installation	50
13.2	Personal notes	52
13.3	Maintenance plan	53
14	Index	54

1 INTRODUCTION

1.1 Definition

The product Electric transporter BLACK LINE is a partly completed machine as defined by European Directive 2006/42/EC, Article 1g and 2g.

1.2 Intended use

The product is intended to be installed in systems, machines or other incomplete machines or equipment or combined with them.

FIBRO GMBH has no influence on the intended use of the product.

It can only be used within the defined limits.

It must not be put into operation until the required safety of the entire system of which the product is a part is ensured, and compliance with the legislation and guidelines of the relevant country in which the product is being operated has been established and confirmed.

The company operating the product is responsible for protective systems or safety devices covering the operation of the whole system.

Proper use also includes:

- Reading these instructions
- Complying with the safety information they contain
- Complying with the other applicable documents
- Observing the maintenance requirements

1.3 Limits of use

Operating conditions	The product is designed for industrial use and is not suitable for private use.
Alignment	The product may only be moved, mounted, stored and operated horizontally. The trough slope in the transport direction must not exceed 8°. A rising trough can reduce the conveying speed by up to 50%.
Service life	The service life of the product is 15000 operating hours.
Temperature range Operation	Permissible temperature range for operation: -20 °C...+100 °C.
ATEX	The product is not suitable for operation in an environments with explosive atmospheres, gases or radiation.

Intended use

Intended use of the product:

- Industrial process transport of solid materials

1.4 Foreseeable misuse

Every type of use of this product beyond the proper use shall be considered misuse and is prohibited.

The product must not be stressed beyond its load limits.

The following instances, among others, are considered misuse:

- Operation outside the permissible technical data (see chapter 3.3 "Technical data" on page 14).
- Operation in potentially explosive atmospheres.
- Use with vertical alignment.
- Use under water.

1.5 Warranty

The guarantee is regulated contractually (see Terms and Conditions or contract)

1.6 Manual

These instructions describe how to use the product and contain important information on proper use.

A copy of these instructions must always be kept by the product and must be read, understood and followed by everyone who works on or with the product.

The safety information in the various different chapters must be observed.

These instructions and other applicable documents are not updated automatically.

We reserve the right to make changes to the data and images in these instructions in the course of further technical development.

FIBRO GMBH can supply the current issue.



These instructions must be kept throughout the entire operating life of the product. One copy of these instructions must be available to the user directly and be read carefully before using the product.

Incomplete instructions must be supplemented. Illegible pages must be replaced.

1.6.1 Target group

Target groups of this manual are

- Specialists
- Trained personnel
- Instructed personnel

Tasks and the required qualification of the personnel are defined in chapter 2.1.2 "Qualifications of personnel" on page 9.

1.6.2 Legend

Characters, symbols and abbreviations are used in these instructions in order to clearly represent the content. They have the following meaning:

- 1) Marks the first level of an itemisation
 - a) Marks the second level of an itemisation
- Marks the first level of a list
 - Marks the second level of a list
- ✓ Contains information on requirements which have to be fulfilled before executing handling instructions.
- ✘ Contains information on tools, operating materials or tools required for the execution of repair work.



The book symbol before a text is a reference to a related document or another chapter of these instructions. The content of this document or the chapter must be taken into account.



The information symbol before a text marks a supplementary note or an important application tip.

1.6.3 Figures

The figures in these instructions are examples. Deviations between a figure and the actual conditions on the machine are possible.

The drawings of FIBRO GMBH and the information on third-party products are decisive.

1.6.4 Safety instructions

These instructions contain safety notices intended to draw attention to possible dangers that should be observed to prevent injury.

The pertinent text describes

- the type of danger
- the source of danger
- the options for preventing injuries
- the consequences in case of non-observance of the warning notices

The safety instructions are emphasised by a colour signal bar with warning triangle and signal word.

The signal bars have the following meaning:



DANGER!

A safety notice on a red signal bar with the signal word DANGER designates a hazard with a high risk level which, if not avoided, will result in death or severe injury.



WARNING!

A safety notice on an orange signal bar with the signal word WARNING designates a hazard with a medium risk level which, if not avoided, might result in death or severe injury.



CAUTION!

A safety notice on a yellow signal bar with the signal word CAUTION designates a hazard with a low risk level which, if not avoided, could result in minor or moderate injury.

1.6.5 General instructions

In addition to the safety notices, these instructions contain information that must be observed to prevent property damage.

The pertinent text describes

- the possible reason for property damage
- the possibilities for preventing property damage

Notices of possible property damage are emphasised by a blue signal bar and the signal word *ATTENTION*.

NOTICE

Notices for the prevention of property damage are not related to possible injuries.



Furthermore, these instructions contain general information on use.

General information on use and tips for certain applications are emphasised with a blue information symbol.

2 SAFETY

2.1 Safety information

2.1.1 Due diligence by the party first placing the product on the market

This product was designed and constructed by FIBRO GMBH according to state-of-the-art technology. Requirements for maintaining of safety and health protection have been fulfilled.

This safety can only be achieved under normal work conditions when all measures necessary for that have been met. The party first placing on the market must plan these measures and check their implementation.

The introducing party must ensure that

- the product is brought to market in a fault-free, functioning condition and that all necessary mechanical and electrical safety equipment is present.

2.1.2 Qualifications of personnel

Special qualifications are required for personnel performing specific tasks.

Among other things, knowledge of first aid measures and local rescue facilities is required.

Electrical equipment	Qualified personnel from the electrical trade (as defined for specialists in IEC 364)
Transport	Trained personnel
Assembly work	Trained personnel
Inspections	Instructed personnel
Cleaning	Instructed personnel
Maintenance	Trained personnel
Repair	Qualified expert
Troubleshooting	Trained personnel
Decommissioning	Qualified expert
Disassembly	Qualified expert

Tab. 2-1 Qualifications of personnel

Qualified personnel are persons who, due to their education, experience, training, and knowledge of relevant standards, provision, accident prevention regulations, and operating conditions, are authorised to perform the required tasks whilst recognising and preventing possible dangers.

Trained personnel are persons who have been trained by the manufacturer or the operating company for a specific set of tasks or activities. Trained personnel are authorised to perform the tasks or activities which correspond to the level of knowledge achieved from the training. Trained personnel have been informed about possible dangers and can recognise and avoid/prevent these.

Instructed personnel are persons who have been authorised by the manufacturer or the operating company to perform a specific set of tasks or activities independently.

2.1.3 Personnel requirements

The following safety information must be observed when working on or with the product described in these instructions. Disregarding the safety information may result in death or serious injuries.

The personnel must have the required training, experience and in order to be able to work on the product correctly. Improperly carried out work on the product can be dangerous and result in death or serious injuries.

No work may be carried out unless the information on it in these instructions and other applicable documents has been read and understood.

If a tool, activity, working method or practice is not expressly suggested by FIBRO GMBH, users must ensure it is safe both for themselves and others.

It must also be ensured that the product is not damaged or made unsafe by the intended work.

Everyone who works on or with the product must:

- Have read and understood these instructions.
- Comply with the safety information in these instructions.
- Heed the danger signs on the product.
- Heed the warnings in these instructions about possible residual risks.
- Ensure that there are no unauthorised persons near the product.
- Follow not only these instructions but also the instructions issued by the operating company on safety at work and accident prevention.
- Inform the operating company or a supervisor if a malfunction occurs.
- Immediately notify the manager responsible if there are any changes to the product that may diminish safety.

2.2 Residual risks

Dangers that cannot be completely eliminated through design and/or control-technical measures present a residual risk.

A safety notice in the relevant chapters and before certain handling steps in these instructions draw attention to residual risks.

For the colour coding and structure of the individual safety notices, see chapter 1.6.4 "Safety instructions" on page 8.

In addition to the information in the chapters, the safety notices to be observed for a safe handling of the machine are summarised as follows.



WARNING!

Ignition of an explosive atmosphere

Ignition hazards arising from a product may ignite an explosive atmosphere and cause an explosion.

- ▶ The product is not suitable for use in explosion hazard areas.
- ▶ Use in explosion hazard areas is prohibited.
- ▶ Serious through to fatal injuries due to the consequences of an explosion.



WARNING!

Crushing of fingers and hands

Moving parts pose a risk of crushing.

- ▶ Do not reach between moving or moving and stationary parts.
- ▶ Wear protective gloves.
- ▶ Reaching between moving or moving and stationary parts can result in crushing fingers or hands.



WARNING!

It is forbidden for non-qualified staff to perform any activities on the machine.

Activities on or with the product sometimes require that the staff has certain qualifications (see chapter 2.1.2 "Qualifications of personnel" on page 9).

- ▶ These activities can only be performed by staff which is qualified for these activities and is authorised to do so by the operator.
- ▶ If unqualified or non-authorized staff works on the system, injuries can be caused by improper handling.

3 PRODUCT DESCRIPTION

3.1 System structure and equipment

Available models:

- Electric transporter BLACK LINE MINI 2299.60.18100.00
- Electric transporter BLACK LINE COMPACT 2299.60.14100.00
- Electric transporter BLACK LINE MAX 2299.60.12100.00
- Electric transporter BLACK LINE ULTRA 2299.60.10100.00

System

The product consists of:

- Electric transporter
- Mounting elements for electric transporter (mounting material optional)
- Mounting elements for trough (mounting material optional)
- Mounting elements for profile bar (mounting material optional)

For optional mounting material, see chapter 5.3 "Mounting material" on page 23.

Electric transporter

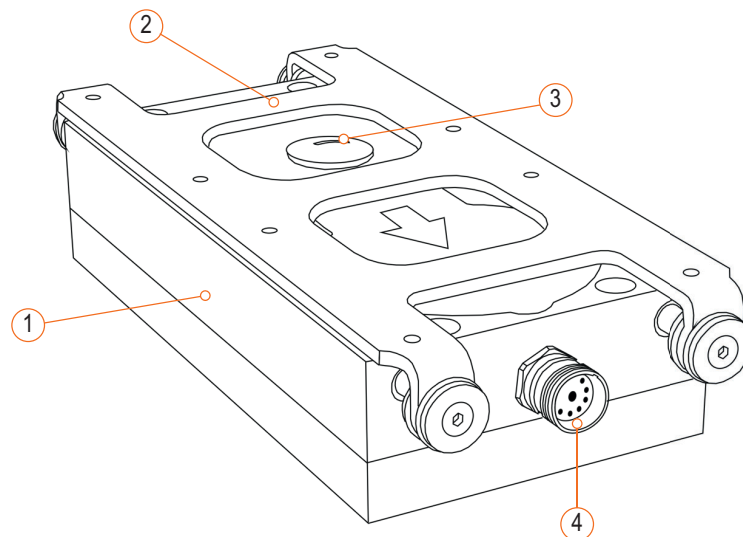


Fig. 3-1 Components of the electric transporter

- 1 Housing
- 2 Carriage
- 3 Oil cap
- 4 Connection socket

Equipment

The product is driven by a sensor-controlled brushless BLDC engine (**B**rush**L**ess **D**irect **C**urrent) with high torque.

The integrated ball-bearing mechanism operates in an oil bath and is designed for high loads. Malfunctions are detected directly by an integrated motion sensor.

Control unit for operation

A control unit adapted to the respective type must be used to control the electric transporter.

Electric transporter	Control unit
2299.60.18100.00 BLACK LINE MINI	2299.60.18100.12 BLACK LINE
2299.60.14100.00 BLACK LINE COMPACT	2299.60.14100.12 BLACK LINE
2299.60.12100.00 BLACK LINE MAX	2299.60.12100.12 BLACK LINE
2299.60.10100.00 BLACK LINE ULTRA	2299.60.10100.13 BLACK LINE



With FIBRO GMBH, this control unit including the connection cable for the connection socket and the signal cable for data exchange with external devices is available.

3.2 Function

A trough or combination of troughs mounted on the product first moves slowly forward, conveying the material in the trough.

The forward movement is followed by a rapid backward movement, during which the material is not moved.

This sequence gently and carefully advances the material.

3.3 Technical data

Electric transporter BLACK LINE MINI

Article number 2299.60.18100.00

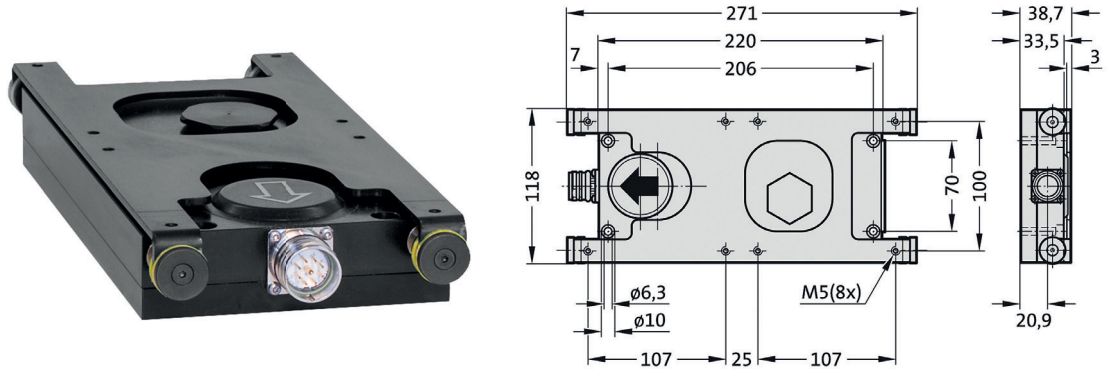


Fig. 3-2 Dimensions of electric transporter BLACK LINE MINI

Description	Unit	Value
Maximum transport weight (without trough)	[kg]	10
Maximum trough weight	[kg]	4
Stroke length	[mm]	20
Conveying speed (mechanically adjustable)	[m/min]	4...8
Warning system (motion sensor)	--	Integrated
Start / Stop	--	Can be controlled via PLC
Engine and overload protection	--	Integrated
Noise emission	[dB (A)]	60
Energy consumption	[kW]	0.05
Electrical connection, control unit	--	M23
Protection class	--	IP62
Dimensions (length x width x height)	[mm]	271 x 118 x 38
Weight	[kg]	2.65

Tab. 3-1 Technical data of electric transporter BLACK LINE MINI

Electric transporter BLACK LINE COMPACT
Article number 2299.60.14100.00

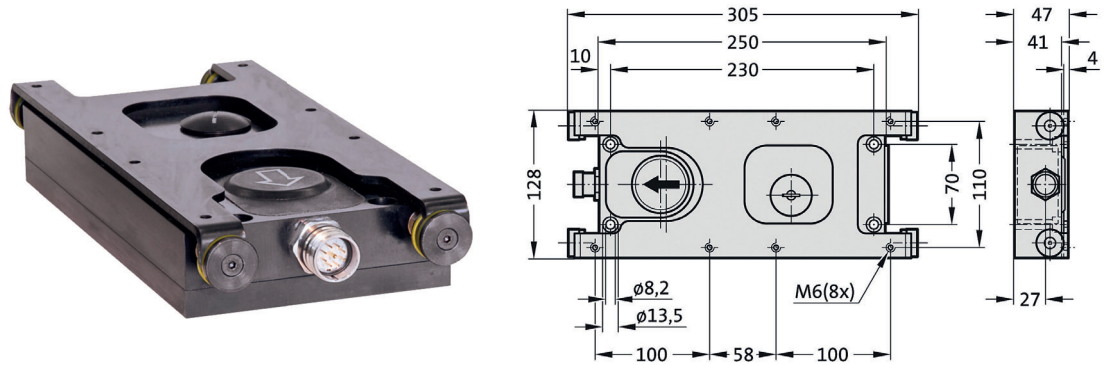


Fig. 3-3 Dimensions of electric transporter BLACK LINE COMPACT

Description	Unit	Value
Maximum transport weight (without trough)	[kg]	20
Maximum trough weight	[kg]	8
Stroke length	[mm]	20
Conveying speed (mechanically adjustable)	[m/min]	4...8
Warning system (motion sensor)	--	Integrated
Start / Stop	--	Can be controlled via PLC
Engine and overload protection	--	Integrated
Noise emission	[dB (A)]	60
Energy consumption	[kW]	0.07
Electric connection, control unit	--	M23
Protection class	--	IP62
Dimensions (length x width x height)	[mm]	305 x 128 x 47
Weight	[kg]	3.7

Tab. 3-2 Technical data of electric transporter BLACK LINE COMPACT

Electric transporter BLACK LINE MAX
Article number 2299.60.12100.00

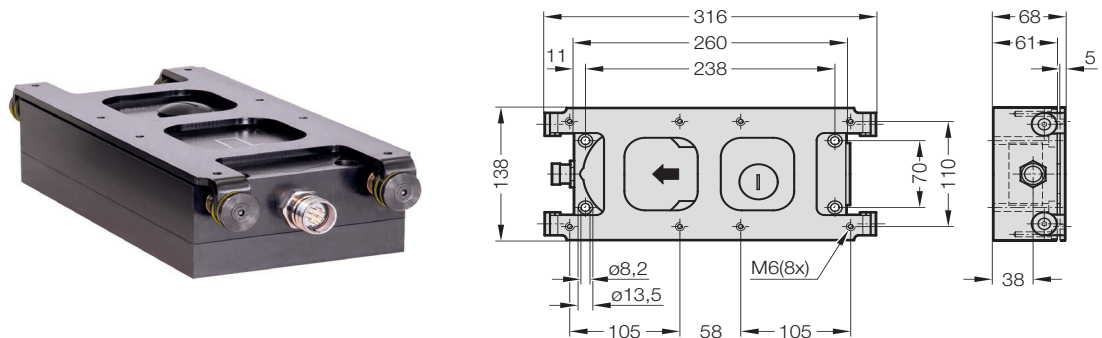


Fig. 3-4 Dimensions of electric transporter BLACK LINE MAX

Description	Unit	Value
Maximum transport weight (without trough)	[kg]	40
Maximum trough weight	[kg]	16
Stroke length	[mm]	20
Conveying speed (mechanically adjustable)	[m/min]	4...8
Warning system (motion sensor)	--	Integrated
Start / Stop	--	Can be controlled via PLC
Engine and overload protection	--	Integrated
Noise emission	[dB (A)]	60
Energy consumption	[kW]	0.15
Electric connection, control unit	--	M23
Protection class	--	IP62
Dimensions (length x width x height)	[mm]	318 x 138 x 68
Weight	[kg]	6.3

Tab. 3-3 Technical data of electric transporter BLACK LINE MAX

Electric transporter BLACK LINE ULTRA
Article number 2299.60.10100.00

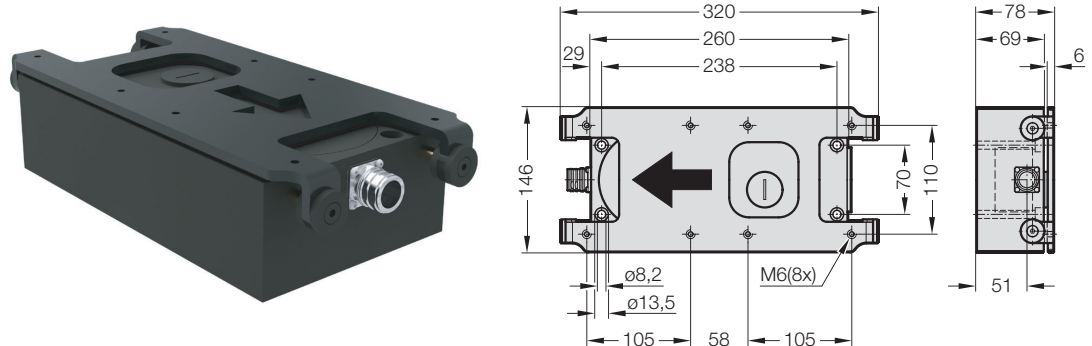


Fig. 3-5 Dimensions of electric transporter BLACK LINE ULTRA

Description	Unit	Value
Maximum transport weight (without trough)	[kg]	100
Maximum trough weight	[kg]	50
Stroke length	[mm]	20
Conveying speed (mechanically adjustable)	[m/min]	4...8
Warning system (motion sensor)	--	Integrated
Start / Stop	--	Can be controlled via PLC
Engine and overload protection	--	Integrated
Noise emission	[dB (A)]	60
Energy consumption	[kW]	0.25
Electric connection, control unit	--	M23
Protection class	--	IP62
Dimensions (length x width x height)	[mm]	320 x 146 x 78
Weight	[kg]	9.0

Tab. 3-4 Technical data of electric transporter BLACK LINE ULTRA

3.3.1 Type plate



A type plate is attached to the BLACK LINE electric transporter. The information on the name-plate must be given for all questions and orders.

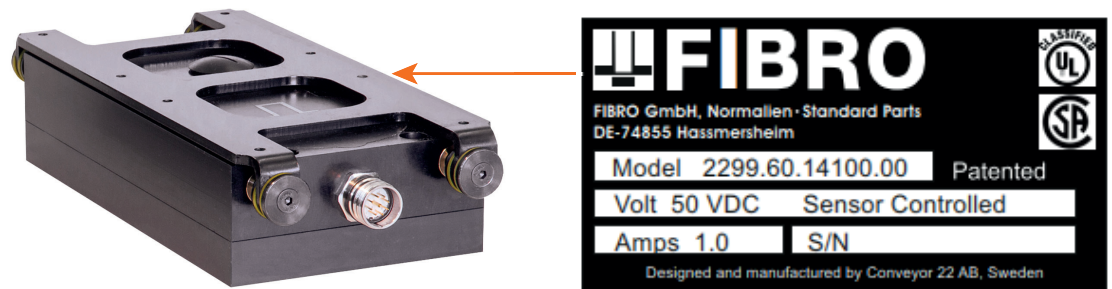


Fig. 3-6 Type plate

3.3.2 Tightening torques



If not otherwise specified, the tightening torque for the screws must be selected depending on the tightening process and the grade of the screws.

4 TRANSPORT

4.1 Transport damage

On delivery, the consignment must be checked immediately to ensure that it is complete and has not been damaged in transit. If damage is found on the packaging that indicates possible damage to the contents, the contents must also be inspected for damage.

If damage is found, the transport company must be informed immediately and the transport company must verify the damage.

4.2 Interim storage

- Only store when dry, in its original packaging and in enclosed rooms
- Storage temperature -20 °C...+60 °C
- Maximum humidity 60% (at 25 °C).
- No aggressive substances may be stored in the storage room (acids, bases, solvents etc.).

4.3 Return shipping

For the returns the parts which have to be sent back to the manufacturer for repair have to be packaged securely.

4.4 Disposing of the packaging material

The packaging materials must be either reused or properly disposed of in accordance with the country-specific regulations.

5 ASSEMBLY

5.1 Important safety instructions

The work described in this chapter may only be carried out after reading chapter 2 "Safety" on page 9 as well as the safety instructions and warnings for this chapter.

Chapter 2 "Safety" on page 9 provides general safety information for the entire product, details of the safety-related equipment of the product, the required qualifications of personnel, and warnings, which concern the entire product.

The safety instructions in this chapter supplement the general safety information and apply only to this chapter.

The warning notices in this chapter supplement the general safety information and apply only to this chapter.



WARNING!

Incorrect installation

Incorrect installation can lead to damage to the product and consequently to hazards for persons.

- ▶ Assembly work is only permitted to be carried out by qualified personnel.
- ▶ Work to connect the electrical energy is only permitted to be carried out by qualified electricians. The conformity of the mains frequency and voltage with the specifications in the technical data must be checked.
- ▶ All power supply units may only be connected when the power supply is switched off.
- ▶ The fixings must be of sufficient size to withstand the stresses during operation.
- ▶ Injuries due to incorrect assembly.

NOTICE

Material damage due to moving parts

The carriage of the electric transporter moves horizontally over a defined stroke. Collision with objects in the range of motion can lead to hazards and cause property damage.

- ▶ Ensure the installation space is sufficient before mounting.
- ▶ Mount all attachments so that they cannot collide with other parts.
- ▶ Injuries or property damage could result from a crash during operation.

5.2 Preparation for mounting

Countersink of the mounting holes in the trough



For standing or hanging mounting with clamping of a trough to a profile rail, drilling and countersinking mounting holes is not required.

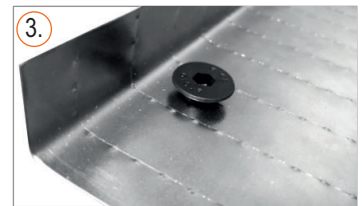
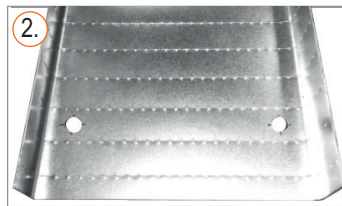
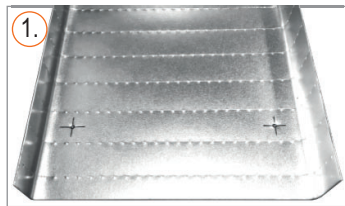
Required tool:

- ✂ Mounting tool 2299.10.00.01.05 or 2299.10.00.01.06 (see chapter 5.3 "Mounting material" on page 23).
- ✂ Ring wrench 10 mm for countersunk screw M5
- ✂ Allen wrench 4 mm for countersunk screw M5
- ✂ Ring wrench 13 mm for countersunk screw M6
- ✂ Allen wrench 5 mm for countersunk screw M6

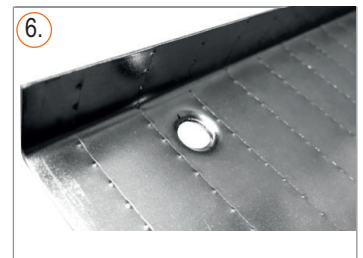


Eight threaded holes are located on the carriage of the electric transporter. The four outer threaded holes must be used for mounting a single trough.

1. Mark the position of the holes on the trough (for hole pattern of the relevant electric transporter, see chapter 3.3 "Technical data" on page 14).
2. Drill holes.
 - a) Hole diameter 6 mm for countersunk screw M5.
 - b) Hole diameter 8 mm for countersunk screw M6.
3. Insert countersunk screw into the hole from above.



4. Screw the counterpart onto the countersunk screw from below.
5. Hold the counterpart with the ring wrench.
6. Screw the countersunk screw into the counterpart using the Allen wrench and tighten.



7. Unscrew the countersunk screw and the counterpart.
8. Perform steps 3 to 7 in each hole.

The countersinks are complete.

Setting conveying speed



When delivered, the conveyor speed of the electric transporter is set to the highest level (H).

Required tool:

- ✘ Screwdriver for electric transporter 2299.60.10100.00, 2299.6x.12100.00 and 2299.6x.14100.00
- ✘ Socket wrench SW36 for electric transporter 2299.6x.18100.00
- ✘ Hexagon socket wrench SW6 for electric transporter 2299.6x.12100.00 and 2299.6x.14100.00
- ✘ Socket wrench SW13 for electric transporter 2299.6x.18100.00
- ✘ Hexagon socket wrench SW8 for electric transporter 2299.60.10100.00

1. With the aid of the screwdriver or the socket wrench, unscrew the oil cap **(A)**.
2. Using the hexagon socket wrench or the socket wrench, turn the screw **(B)** visible in the oil opening anticlockwise by a quarter turn.
3. Move the screw **(B)** sideways continuously between the following positions:
H = Highest conveying speed / Lowest conveying force
L = Lowest conveying speed / Highest conveying force

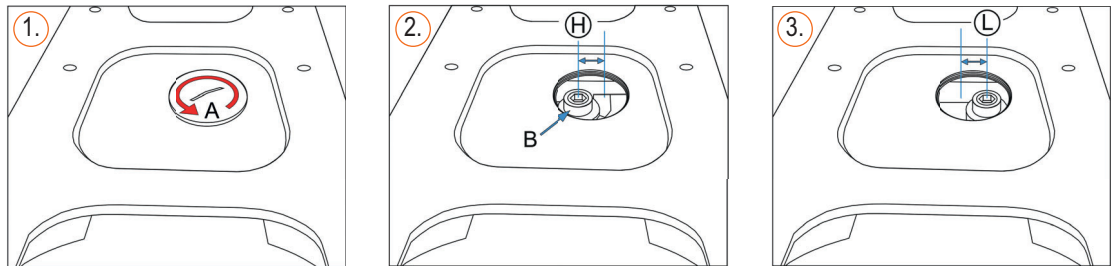


Fig. 5-1 Setting conveying speed

4. After setting the desired conveying speed, tighten the screw **(B)**.
5. Screw on oil cap **(A)** and tighten.

The conveying speed is set.

5.3 Mounting material

Mounting tool

Article number 2299.69.10.00.01.05 / 2299.69.10.00.01.06



Use mounting tool 2299.69.10.00.01.05 for electric transporter 2299.60.18100.00 or 2299.61.18100.00

For electric transporter 2299.60.14100.00 / 2299.60.12100.00 / 2299.60.10100.00 or 2299.61.14100.00 / 2299.61.12100.00, use mounting tool 2299.69.10.00.01.06.

The mounting tool is used to countersink the mounting holes in the trough.

The mounting tool consists of

- Countersunk screw
- Counterpart



Fig. 5-2 Mounting tool

Standard trough mounting

Article number 2299.69.10.1x



For electric transporter 2299.60.18100.00 or 2299.61.18100.00, use the *standard trough mounting* kit with article number 2299.69.10.1x.05.

For electric transporter 2299.60.14100.00 / 2299.60.12100.00 / 2299.60.10100.00 or 2299.61.14100.00 / 2299.61.12100.00, use the *standard trough mounting* kit with article number 2299.69.10.1x.06 / 2299.69.10.10.06.012.

The *standard trough mounting* kit is used for mounting a trough directly on the electric transporter.

The mounting kit consists of

- Four countersunk screws
- Four self-adhesive washers



Fig. 5-3 Standard trough mounting kit

Profile bar

Article number 2299.69.20.80.1000 length 1000 mm

Article number 2299.69.20.80.2000 length 2000 mm



To be used only for electric transporters 2299.60.14100.00 / 2299.60.12100.00 or 2299.60.10100.00.

For mounting a profile bar on an electric transporter, the countersunk screw article number 2299.69.20.02.06 (M6x20) or the retaining bar article number 2299.69.20.01.06 must be ordered separately.

Flexible mounting of several troughs is possible on one profile bar.



Fig. 5-4 Profile bar

Retaining bar

Article number 2299.69.20.01.06



To be used only for electric transporters 2299.60.14100.00 / 2299.60.12100.00 or 2299.60.10100.00.

The *retaining bar* mounting kit is used to mount a profile bar on an electric transporter.

The mounting kit consists of

- Two retaining bars
- Four countersunk screws M6x20

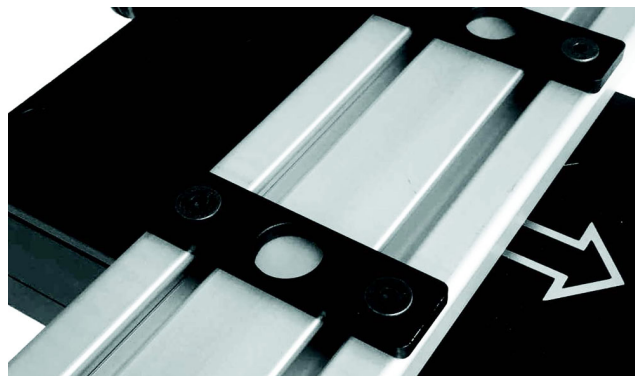


Fig. 5-5 Retaining bar mounting kit

Trough mounting with sliding blocks**Article number 2299.69.10.20**

To be used only for electric transporter 2299.60.14100.00 / 2299.60.12100.00 or 2299.60.10100.00.

The *trough mounting with sliding blocks* mounting kit is used for mounting a trough on a profile bar.

The mounting kit consists of

- Four sliding blocks
- Four countersunk screws
- Four self-adhesive washers



Fig. 5-6 Trough mounting with sliding blocks mounting kit

Standing trough mounting**Article number 2299.69.10.30**

To be used only for electric transporters 2299.60.14100.00 / 2299.60.12100.00 or 2299.60.10100.00.

Due to its simple clamping principle, the *standing trough mounting* kit enables flexible mounting of a trough on the top of a profile bar (without additional machining).

The mounting kit consists of

- Two mounting brackets with counterpart, cylinder head screws and clamping screws
- Four cylinder head screws
- Four sliding blocks

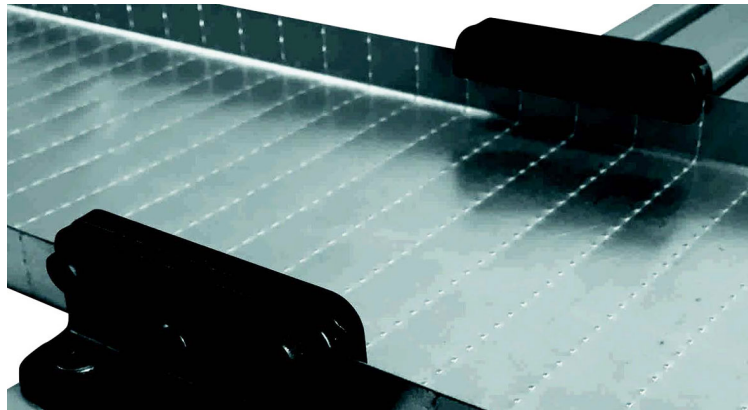


Fig. 5-7 Standing trough mounting kit

Hanging trough mounting**Article number 2299.69.10.40**

To be used only for electric transporters 2299.60.14100.00 / 2299.60.12100.00 or 2299.60.10100.00.

Due to its simple clamping principle, the *hanging trough mounting* kit enables flexible mounting of the trough on the bottom of a profile bar as well as mounting of the electric transporter at the same installation height (without additional machining).

The mounting kit consists of

- Two hanging trough mountings
- Four cylinder head screws
- Four sliding blocks

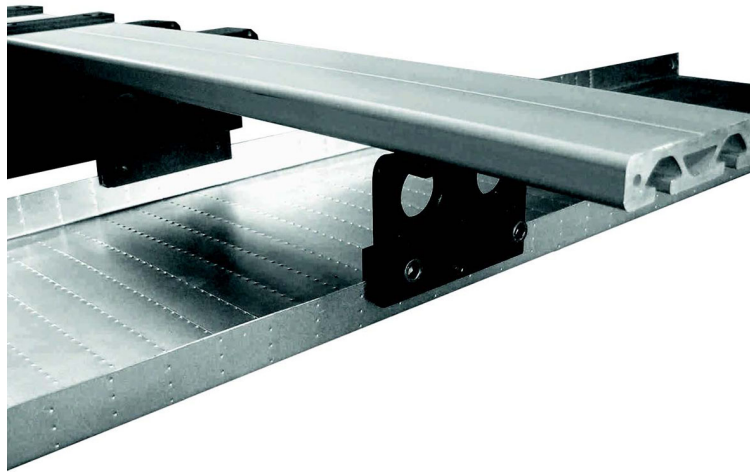


Fig. 5-8 Hanging trough mounting kit

Angle profile for clamping rail

Article number 22299.69.30.00.01.1230



To be used only for electric transporter 2299.60.14100.00 / 2299.60.12100.00 or 2299.60.10100.00.

The *angle profile for clamping rail* mounting kit is welded onto the bottom of a trough and, due to its simple clamping principle, enables flexible mounting of a trough to a clamping rail (without additional machining).

The mounting kit consists of

- Angle profile

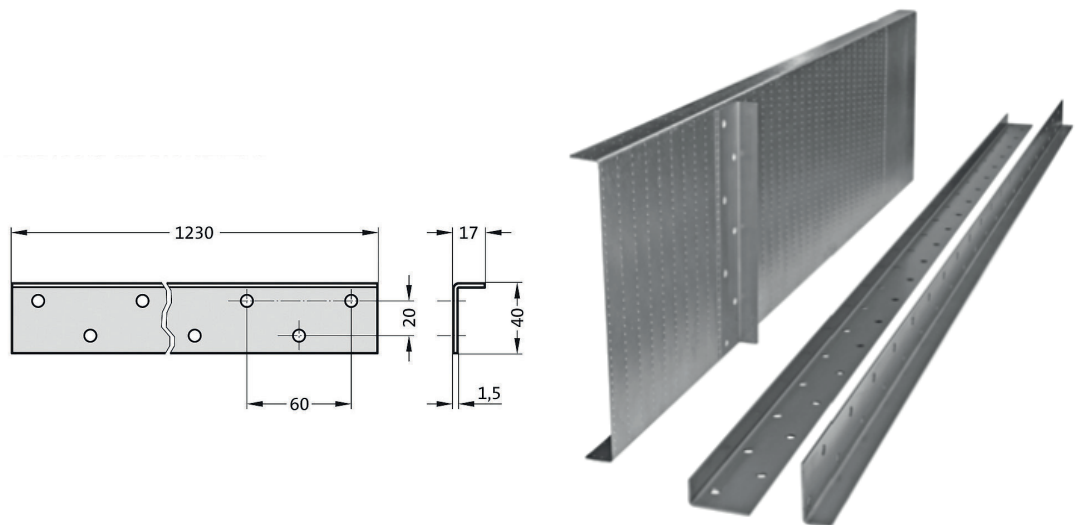


Fig. 5-9 Angle profile for clamping rail mounting kit

Clamping rails

Article number 22299.69.30.1000 / 22299.69.30.1500 / 22299.69.30.2000



To be used only for electric transporter 2299.60.12100.00 and 2299.60.10100.00.

A clamping rail is used to quickly switch between several troughs.

The mechanical clamping lever clamps the troughs on the 2299.69.30.00.01.1230 angle profile in the groove without tools.

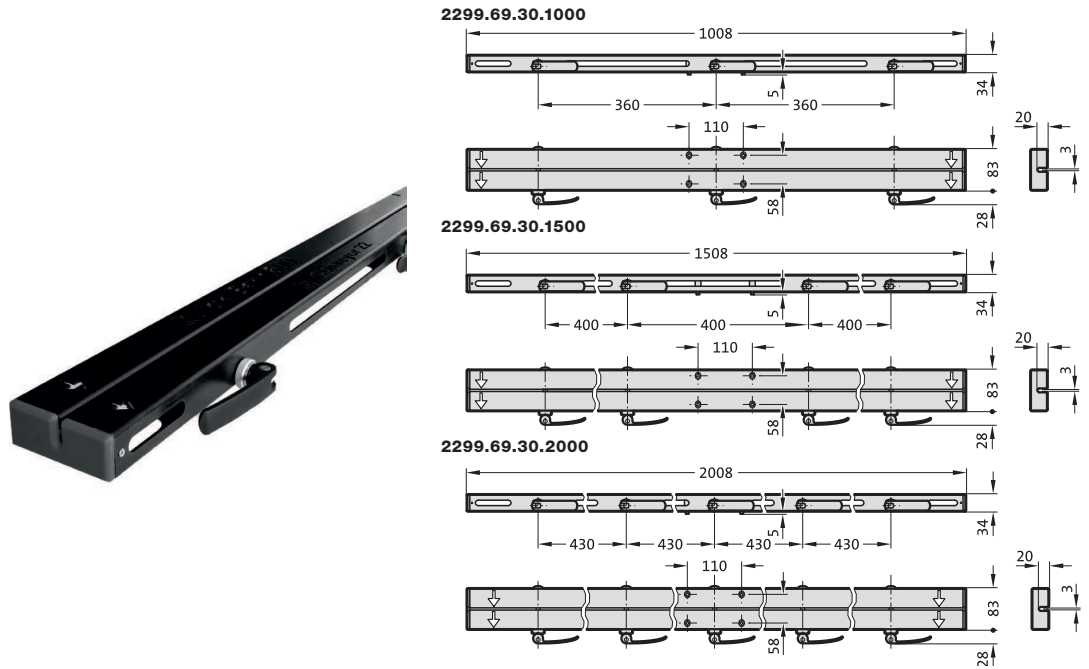


Fig. 5-10 Clamping rails

Height-adjustable mounting bracket for transporter mounting

Article number 22299.69.40



To be used only for electric transporter 2299.60.12100.00 and 2299.60.10100.00.

The mounting bracket is attached to an external device with four screws. The DIN EN ISO 4762 4x M12x50 -12.9 cylinder head screws are included in the scope of delivery.

The mounting bracket has three mounting options defined on the top side (left, centre and right) for mounting an electric transporter.

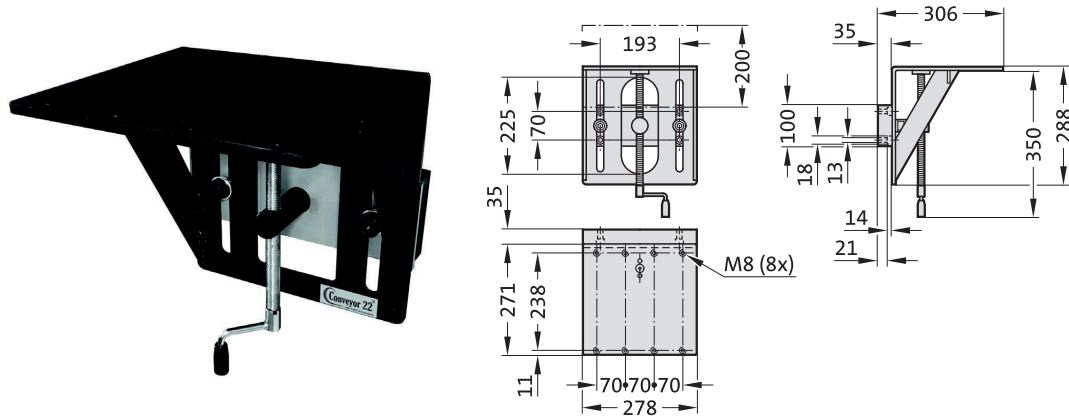


Fig. 5-11 Height-adjustable mounting bracket for transporter mounting

Height-adjustable mounting bracket for profile bar mounting

Article number 22299.69.41



To be used only for electric transporter 2299.60.12100.00 and 2299.60.10100.00.

The mounting bracket is attached to an external device with four screws. The DIN EN ISO 4762 4x M12x50 -12.9 cylinder head screws are included in the scope of delivery.

The lateral booms prevent the profile bar from bending with large span widths.

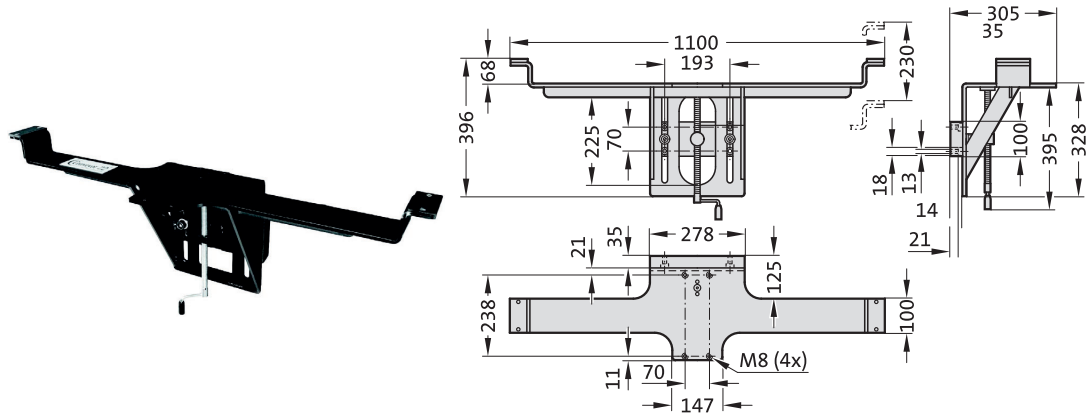


Fig. 5-12 Height-adjustable mounting bracket for profile bar mounting

5.4 Mounting electric transporter

Mounting requirements:

- ✓ The mounting surface must be horizontal and flat.
- ✓ The electric transporter must not be mounted in a tilted or inclined position.

Required mounting material:

- ✘ 4 fixing screws M6x40 for electric transporter 2299.6x.18100.00
- ✘ 4 fixing screws M8x50 for electric transporter 2299.6x.14100.00
- ✘ 4 fixing screws M8x70 for electric transporter 2299.6x.12100.00
- ✘ 4 fixing screws M8x80 for electric transporter 2299.60.10100.00



FIBRO GMBH recommends that all screws be provided with medium-strength thread lock.

1. Make threaded holes in the mounting surface.
(For hole pattern of the mounting holes, see chapter 3.3 "Technical data" on page 14).
2. Place electric transporter over the threaded holes in the mounting surface.
3. Insert fixing screws and tighten crosswise.
4. Remove yellow warning tape.
5. Unscrew plastic oil cap.
6. Screw in supplied metal oil cap.

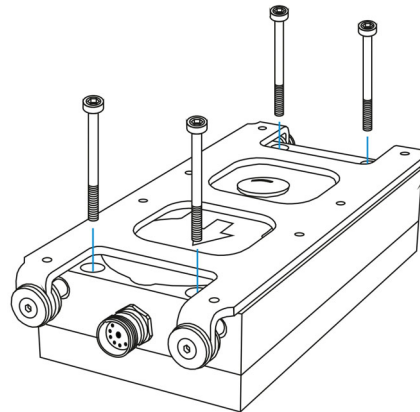


Fig. 5-13 Mounting electric transporter

The electric transporter is mounted.



FIBRO GMBH recommends adjusting the conveying speed to the application before mounting attachments. If the conveying speed is changed later, the attachments would otherwise have to be dismantled again (for setting the conveying speed, see chapter 5.2 "Preparation for mounting" on page 21).

5.5 Mounting single trough

Mounting requirements:

- ✓ The electric transporter is properly mounted.
- ✓ The mounting holes in the trough are present and provided with a countersink (for holes and countersink, see chapter 5.2 "Preparation for mounting" on page 21).
- ✓ The trough slope in the transport direction must not exceed the value of 8°. A rising trough can reduce the conveying speed by up to 50%.

Required mounting material:

- ✘ *Standard trough mounting kit* (see chapter 5.3 "Mounting material" on page 23).
 - 4 countersunk screws M5x8 and 4 washers for electric transporter 2299.6x.18100.00
 - 4 countersunk screws M6x10 and 4 washers for electric transporter 2299.6x.14100.00
 - 4 countersunk screws M6x10 and 4 washers for electric transporter 2299.6x.12100.00
 - 4 countersunk screws M6x12 and 4 washers for electric transporter 2299.60.10100.00



FIBRO GMBH recommends that all screws be provided with medium-strength thread lock .

1. Remove plastic film from the washers.
2. On the underside of the trough, place the washers on the holes. The washers are self-adhesive and adhere to the trough.
3. Position trough over the threaded holes of the electric transporter, insert countersunk screws and tighten crosswise.

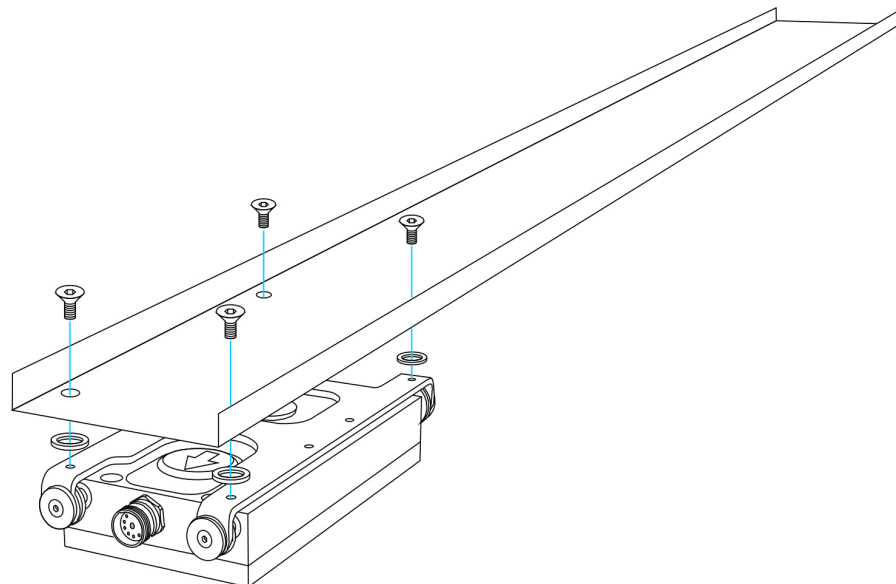
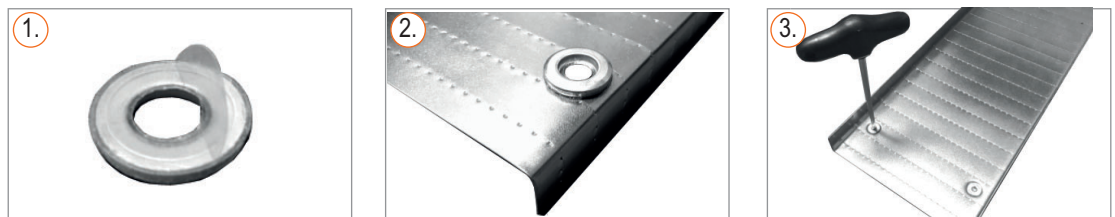


Fig. 5-14 Mounting single trough

The trough is mounted.



If troughs are long, FIBRO GMBH recommends installing suitable trough support (see chapter 5.8 "Trough support" on page 39).

5.6 Mounting profile bar

Mounting profile bar with special screws



Profile bars can be used for standing or hanging trough mounting.

If the profile bar for standing trough mounting is present, the countersink in the mounting holes for the special screws must be on the groove side.

If the profile bar for hanging trough mounting is present, the countersink in the mounting holes for the special screws must be on the groove side.

Mounting requirements:

- ✓ The electric transporter is properly mounted.
- ✓ The profile bar is available in the required length.
- ✓ The mounting holes in the profile bar with countersink are present (for the hole pattern of the fastening holes, see chapter 5.2 "Preparation for mounting" on page 21).

Required mounting material:

- ✘ Four special screws article number 2299.69.20.02.06 (M6x20)



FIBRO GMBH recommends that all screws be provided with medium-strength thread lock.

1. Position profile bar over the threaded holes of the electric transporter.
2. Insert special screws and tighten crosswise.

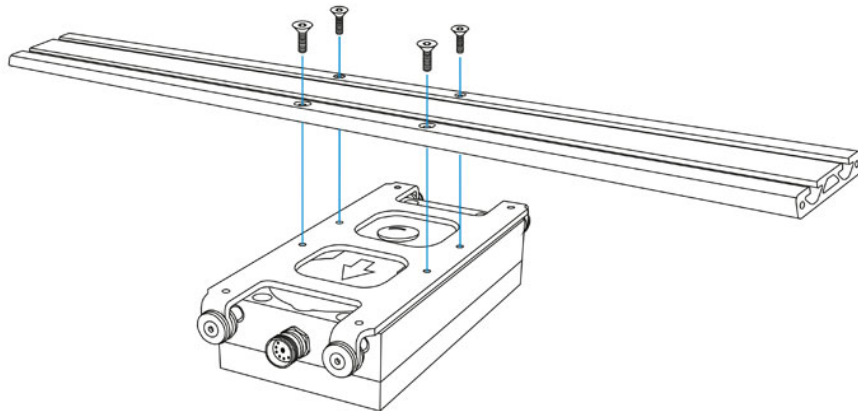


Fig. 5-15 Mounting profile bars with special screws

The profile bar is mounted.

Mounting profile bar with retaining bars

Mounting requirements:

- ✓ The electric transporter is properly mounted.
- ✓ The profile bar is available in the required length.
- ✓ The mounting holes in the profile bar are present (for the hole pattern of the fastening holes, see chapter 3.3 "Technical data" on page 14).

Required mounting material:

- ✳ *Retaining bar* mounting kit article number 2299.69.20.01.06



FIBRO GMBH recommends that all screws be provided with medium-strength thread lock.

1. Position profile bar over the threaded holes of the electric transporter.
2. Position the retaining bars over the mounting holes.
3. Insert countersunk screws and tighten crosswise.

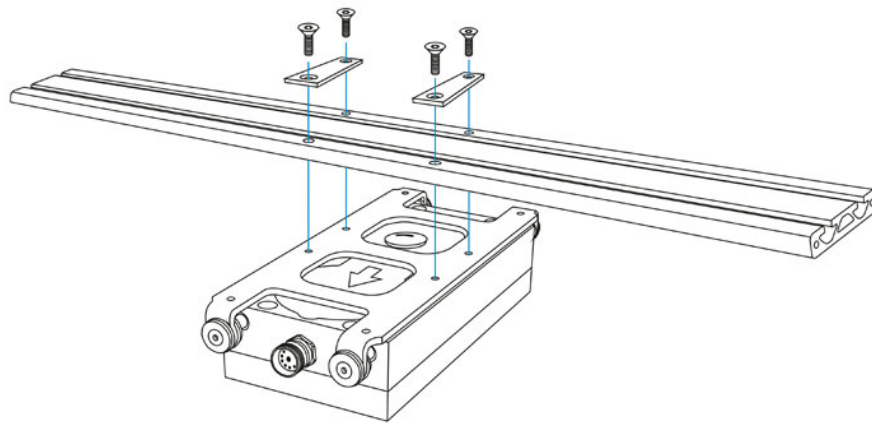


Fig. 5-16 Mounting profile bar with retaining bars

The profile bar is mounted.

5.7 Mounting trough on profile bar

Trough mounting with sliding blocks

Mounting requirements:

- ✓ The electric transporter is properly mounted.
- ✓ The profile bar is properly mounted.
- ✓ The mounting holes in the trough are present and provided with a countersink (for holes and countersink, see chapter 5.2 "Preparation for mounting" on page 21).
- ✓ The trough slope in the transport direction must not exceed the value of 8°. A rising trough can reduce the conveying speed by up to 50%.

Required mounting material:

- ✘ *Trough mounting with sliding blocks* mounting kit article number 2299.69.10.20
(See chapter 5.3 "Mounting material" on page 23).



FIBRO GMBH recommends that all screws be provided with medium-strength thread lock.

1. On the underside of the trough, place the washers on the holes. The washers are self-adhesive and adhere to the trough.
2. Insert the sliding blocks into the grooves of the profile bar and pre-position them.
3. Position the trough over the sliding blocks.
4. Insert countersunk screws and tighten crosswise.

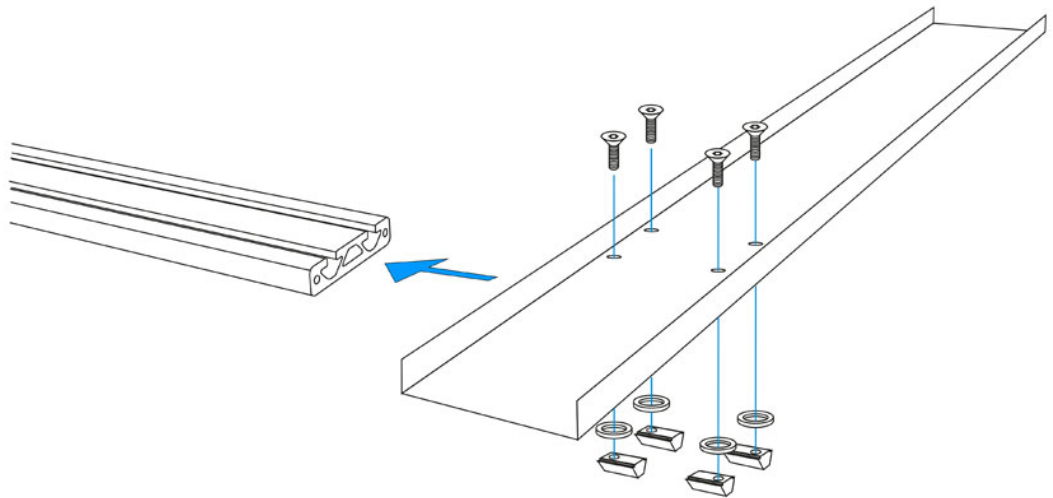


Fig. 5-17 Trough mounting with sliding blocks

The trough is mounted.

Standing trough mounting on profile bar

Mounting requirements:

- ✓ The electric transporter is properly mounted.
- ✓ The profile bar is properly mounted.

Required mounting material:

- ✘ *Standing trough mounting kit article number 2299.69.10.30*
(See chapter 5.3 "Mounting material" on page 23).



FIBRO GMBH recommends that all screws be provided with medium-strength thread lock.

1. Insert the sliding blocks into the grooves of the profile bar and pre-position them.
2. Mount the mounting bracket on the trough.
3. Position the trough over the sliding blocks, insert the cylinder head screws and hand-tighten.
4. Position the trough on the profile bar and tighten the cylinder head screws crosswise.
5. Position the trough in the desired position in the retaining brackets and clamp with the clamping screws.

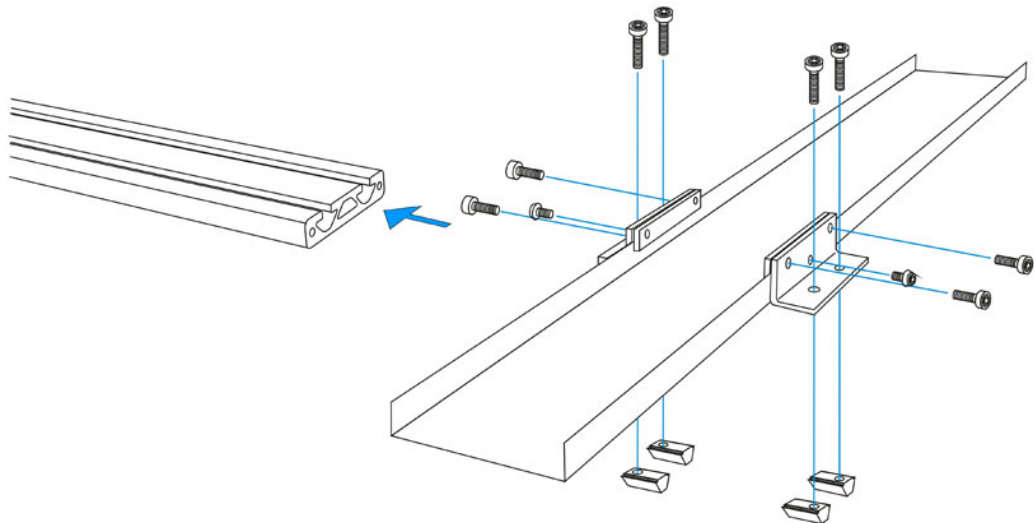


Fig. 5-18 Standing trough mounting on profile bar

The trough is mounted.

Hanging trough mounting on profile bar

Mounting requirements:

- ✓ The electric transporter is properly mounted.
- ✓ The profile bar is properly mounted.

Required mounting material:

- ✘ *Hanging trough mounting kit article number 2299.69.10.40*
(See chapter 5.3 "Mounting material" on page 23).



FIBRO GMBH recommends that all screws be provided with medium-strength thread lock.

1. Insert the sliding blocks into the grooves of the profile bar and pre-position them.
2. Mount the mounting bracket on the trough.
3. Position the trough over the sliding blocks, insert the cylinder head screws and hand-tighten.
4. Position the trough on the profile bar and tighten the cylinder head screws crosswise.
5. Position the trough in the desired position in the retaining brackets and clamp with the clamping screws.

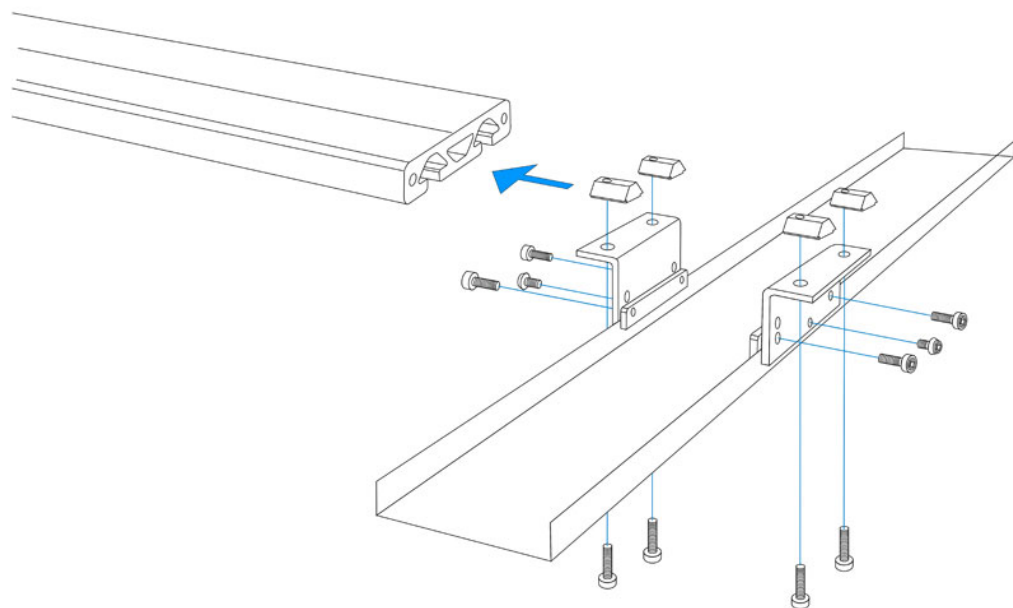


Fig. 5-19 Hanging trough mounting on profile bar

The trough is mounted.

5.8 Trough support

Depending on the length of a trough and the weight of the conveyed material, suitable trough support must be installed.

Installing trough support is at the discretion of the operator.

Example of trough supports:

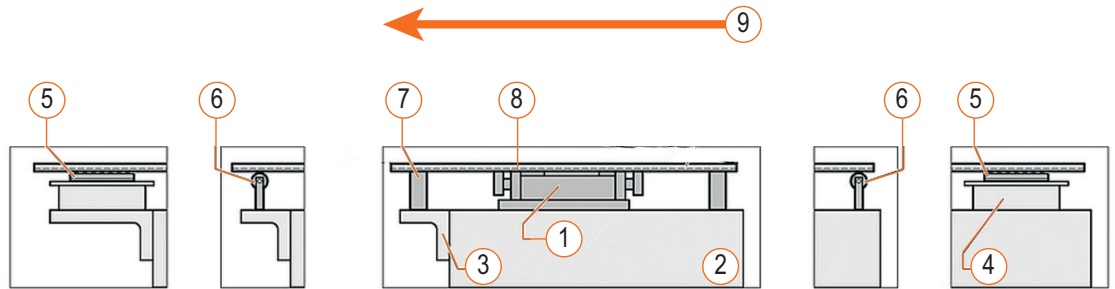


Fig. 5-20 Trough supports

- 1 *Electric transporter*
- 2 *Mounting surface*
- 3 *Support bracket*
- 4 *Spacer*
- 5 *Ball guide*
- 6 *Support roller*
- 7 *Sliding guide*
- 8 *Trough*
- 9 *Transport device*

6 COMMISSIONING

The product is designed for installation in a machine or system in accordance with its intended use. The product is commissioned together with the machine or system in which it has been installed. The distributor or operator is responsible for commissioning.

7 OPERATION

7.1 Operation

The product is designed for installation in a machine or system in accordance with its intended use. Operation is the responsibility of the distributor or the operator of the machine or system.

8 FAULTS

8.1 Important safety instructions

**WARNING!****Non-rectified fault**

Continued operation after a fault may result in injury and serious damage to the product.

- ▶ Any identified faults must be rectified immediately.
- ▶ Operating a damaged product is forbidden.
- ▶ Injuries could occur if this warning is not observed.

8.2 Customer services

If you should require the assistance of our customer service we would ask you to provide the following information:

- Serial number from type plate FIBRO GMBH (see chapter 3.3.1 "Type plate" on page 18)
- Description of the current fault
- Time and circumstances of fault
- Suspected cause

You can reach our customer service Monday to Friday from (times are UTC + 1) 7 am to 5 pm on **service number** +49 (0) 62 66 73 0

Outside of the stated time, there is an automatic message with further information.

Customer service address:

FIBRO GMBH
August-Läpple-Weg
74855 Hassmersheim, Germany

info@fibro.de

On www.fibro.de you can find all FIBRO subsidiaries worldwide.

9 SERVICING

9.1 Important safety instructions

The work described in this chapter may only be carried out after reading chapter 2 "Safety" on page 9 as well as the safety instructions and warnings for this chapter.

Chapter 2 "Safety" on page 9 provides general safety information for the entire product, details of the safety-related equipment of the product, the required qualifications of personnel, and warnings, which concern the entire product.

The safety instructions in this chapter supplement the general safety information and apply only to this chapter.

The warning notices in this chapter supplement the general safety information and apply only to this chapter.



WARNING!

Non-authorized staff

Only the work described in these instructions with regards to the maintenance may be carried out by the staff of the operator.

- ▶ This staff has to be trained and authorized for the intended tasks.
- ▶ All further work and repairs may as a rule only be carried out by FIBRO staff.
- ▶ If using non-authorized staff, wrong action may cause injuries.



WARNING!

Use of incorrect spare parts

If incorrect spare parts or operational media are used, consequential damage can occur.

- ▶ Only use spare parts that are cited in our spare parts list or spare parts that we have approved.
- ▶ Individual components must not be used to replace one another. Subsequent modifications are not permitted.
- ▶ Only specified process materials must be used.
- ▶ Self-locking screws and nuts must be continually replaced.
- ▶ All specified screw tightening torques must be strictly observed.
- ▶ Failure to comply with these instructions means that the possibility of injury cannot be excluded.

9.2 Maintenance work

The following activities are considered maintenance work:

- Inspection
- Cleaning
- Maintenance
- Repair

9.3 Inspection

Inspection of the product

Qualification: Specialists

Maintenance type: Monitoring

Interval: daily

1. Visual inspection for damage
2. Inspection of fastening elements

9.4 Cleaning

Cleaning the product

Qualification: Instructed personnel

Maintenance type: Cleaning

Interval: if required

Depending on the level of contamination, the operating firm can extend or reduce the specified cleaning interval. The time of a cleaning operation is dependent on

- ✓ Daily operating time
 - ✓ Production conditions
 - ✓ Operational environment
1. Inspect product for contamination.
 2. Clean product if necessary.
 - a) Vacuum out dust.
 - b) Carefully wipe the product with a soft cloth.

NOTICE

- ▶ Do not use compressed air for cleaning.
- ▶ Do not use harsh solvents or degreasers.

9.5 Maintenance

Oil change

Qualification:	Trained personnel
Maintenance type:	Maintenance
Interval:	3 / 15,000 Years or h

Required tools and operating materials:

- ✘ Tool: See chapter 5 "Assembly" on page 20.
 - ✘ Lubricant: Mineral oil SAE 80W-90 API GL-5
 - ✘ BLACK LINE MINI lubricant quantity: 0.14 litres
 - ✘ BLACK LINE COMPACT lubricant quantity: 0.18 litres
 - ✘ BLACK LINE MAX lubricant quantity: 0.28 litres
 - ✘ BLACK LINE ULTRA lubricant quantity: 0.28 litres
1. Remove attachments.
 2. Loosen the union nut of the connection cable and pull off the cable.
 3. Unscrew electric transporter and wipe carefully.
 4. Unscrew oil cap.
 5. Turn over electric transporter and let the oil run into a suitable container for at least 30 minutes.
 6. Attach electric transporter.
 7. Fill with new oil.
 8. Screw on oil cap.
 9. Plug in the connector of the connection cable and tighten the union nut.
 10. Mount attachments.
 11. Let electric transporter sit for 2 hours before putting it back into operation. There is a risk of leakage due to the oil pressure.

9.6 Repairs

No repairs should be made by the operating firm. If repairs are required, please inform customer services at FIBRO GMBH.

For contact data, see chapter 8.2 "Customer services" on page 42.

10 DISASSEMBLY AND DISPOSAL

NOTICE

Dispose of assemblies correctly!

Incorrect disposal of assemblies can cause environmental damage and lead to prosecution.

- ▶ In any case, the assemblies must be disposed of in accordance with the relevant national and regional laws and guidelines.
 - ▶ Care must be taken to ensure the environmentally-friendly disposal of the process materials.
 - ▶ Local regulations for the correct recycling and disposal of waste must be adhered to.
-

11 SERVICE AND SPARE PARTS

11.1 Service

You can reach our customer service Monday to Friday from (times are UTC + 1) 7 am to 5 pm on **service number** +49 (0) 62 66 73 0

Outside of the stated time, there is an automatic message with further information.

Written enquiries to:

FIBRO GMBH
August-Läpple-Weg
74855 Hassmersheim, Germany

info@fibro.de

On www.fibro.de you can find all FIBRO subsidiaries worldwide.

11.2 Spare parts ordering

Bei der Bestellung von Ersatzteilen bitten wir um folgende Angaben:

- Name, address, mailing address
- Exact name of the machine Serial number from type plate(see chapter 3.3.1 "Type plate" on page 18)
- Exact name of the spare part
 - If necessary, provide samples, photos or sketches
- Number of required spare parts

Please send your spare parts order to

FIBRO GMBH
August-Läpple-Weg
74855 Hassmersheim, Germany

info@fibro.de

On www.fibro.de you can find all FIBRO subsidiaries worldwide.

On receipt of the spare parts delivery:

- Number, correctness and condition of the supplied parts
- Please feedback any errors immediately

Claims for compensation due to transport damage have to be made immediately.

11.3 Spare parts

Spare parts must meet the technical requirements specified by FIBRO GMBH.

By ordering original spare parts from FIBRO GMBH, you are assured that these requirements will be met.

FIBRO GMBH can assume no liability for any damage caused as a result of using non-original spare parts.

Article number	Description	To be used for transporter
2299.60.10100.00.01	Oil cap	Black Line 2299.60.10100.00
2299.60.12100.00.01	Oil cap	Black Line 2299.60.12100.00
2299.60.14100.00.01	Oil cap	Black Line 2299.60.14100.00
2299.60.18100.00.01	Oil cap	Black Line 2299.60.18100.00
2299.60.10100.00.02	Engine cover	Black Line 2299.60.10100.00
2299.60.10100.00.03	Engine cover	Black Line 2299.60.10100.00
2299.60.12100.00.02	Engine cover	Black Line 2299.60.12100.00
2299.60.14100.00.02	Engine cover	Black Line 2299.60.14100.00
2299.60.18100.00.02	Engine cover	Black Line 2299.60.18100.00
2299.60.12100.00.03	Carriage	Black Line 2299.60.12100.00
2299.60.14100.00.03	Carriage	Black Line 2299.60.14100.00
2299.60.18100.00.03	Carriage	Black Line 2299.60.18100.00
2299.60.10100.00.04	Stop washer set	Black Line 2299.60.10100.00
2299.60.12100.00.04	Stop washer set	Black Line 2299.60.12100.00
2299.60.14100.00.04	Stop washer set	Black Line 2299.60.14100.00
2299.60.18100.00.04	Stop washer set	Black Line 2299.60.18100.00
2299.60.10100.00.05	Damping washer set	Black Line 2299.60.10100.00
2299.60.12100.00.05	Damping washer set	Black Line 2299.60.12100.00
2299.60.14100.00.05	Damping washer set	Black Line 2299.60.14100.00
2299.60.18100.00.05	Damping washer set	Black Line 2299.60.18100.00
2299.60.10100.00.07	Plastic oil cap	Black Line 2299.60.10100.00
2299.60.12100.00.07	Plastic oil cap	Black Line 2299.60.12100.00
2299.60.14100.00.07	Plastic oil cap	Black Line 2299.60.14100.00
2299.60.18100.00.07	Plastic oil cap	Black Line 2299.60.18100.00

12 INDEXES

12.1 Third-party products

The product contains no components from third-party companies.

12.2 Index of figures

Fig. 3-1	Components of the electric transporter	12
Fig. 3-2	Dimensions of electric transporter BLACK LINE MINI	14
Fig. 3-3	Dimensions of electric transporter BLACK LINE COMPACT	15
Fig. 3-4	Dimensions of electric transporter BLACK LINE MAX	16
Fig. 3-5	Dimensions of electric transporter BLACK LINE ULTRA	17
Fig. 3-6	Type plate	18
Fig. 5-1	Setting conveying speed	22
Fig. 5-2	Mounting tool	23
Fig. 5-3	Standard trough mounting kit	23
Fig. 5-4	Profile bar	24
Fig. 5-5	Retaining bar mounting kit	24
Fig. 5-6	Trough mounting with sliding blocks mounting kit	25
Fig. 5-7	Standing trough mounting kit	26
Fig. 5-8	Hanging trough mounting kit	27
Fig. 5-9	Angle profile for clamping rail mounting kit	28
Fig. 5-10	Clamping rails	29
Fig. 5-11	Height-adjustable mounting bracket for transporter mounting	30
Fig. 5-12	Height-adjustable mounting bracket for profile bar mounting	31
Fig. 5-13	Mounting electric transporter	32
Fig. 5-14	Mounting single trough	33
Fig. 5-15	Mounting profile bars with special screws	34
Fig. 5-16	Mounting profile bar with retaining bars	35
Fig. 5-17	Trough mounting with sliding blocks	36
Fig. 5-18	Standing trough mounting on profile bar	37
Fig. 5-19	Hanging trough mounting on profile bar	38
Fig. 5-20	Trough supports	39

12.3 Index of tables

Tab. 2-1	Qualifications of personnel	9
Tab. 3-1	Technical data of electric transporter BLACK LINE MINI	14
Tab. 3-2	Technical data of electric transporter BLACK LINE COMPACT	15
Tab. 3-3	Technical data of electric transporter BLACK LINE MAX	16
Tab. 3-4	Technical data of electric transporter BLACK LINE ULTRA	17

13 APPENDIX

13.1 Declaration of installation

Every incomplete machine falling in the application range of Directive 2006/42/EG is supplied with a declaration of installation in the context of this Directive.

FIBRO GMBH states in the declaration of installation which essential requirements of this directive were applied and complied with.

In addition, the declaration of installation contains details on other applied directives and observed harmonised standards.

See the next page for the content of the declaration of installation as well as sources of the applied directives and observed harmonised standards.



Declaration of installation of an incomplete machine in terms of Directive 2006/42/EC

Manufacturer

FIBRO GMBH
August-Läpple-Weg
74855 Hassmersheim, Germany

hereby states that for the incomplete machine

Product designation	Electric transporter
Type designation	BLACK LINE
Article number	2299.60.10100.00 / 2299.60.12100.00 / 2299.60.14100.00 / 2299.60.18100.00
Intended use	Industrial process transport of solid materials

the following essential requirements of Directive 2006/42/EC Annex 1 (Machinery Directive) were applied and complied with: 1.1.2 / 1.1.3 / 1.1.5 / 1.5.1 / 1.5.4 / 1.5.7 / 1.7.2 / 1.7.3

The incomplete machine may not be put into operation until it has been determined that the machine in which the incomplete machine has been installed complies with the provisions of Directive 2006/42/EC.

For certain components of this product placed on the market by FIBRO GMBH, the relevant requirements from the following other relevant directives have been met during design and construction:

--- No requirements from other relevant directives were identified.

For the correct implementation of the required relevant regulations in the named directives, the following harmonised standard(s) according to Article 7 Paragraph 2 and/or technical specifications has/have been applied:

EN ISO 12100:2010-11	Safety of machinery - General design principles - Risk assessment and risk reduction
EN 60204-1:2018	Safety of machinery - Electrical equipment of machines Part 1: General requirements
EN 619:2011	Continuous handling equipment and systems - Safety and EMC requirements for equipment for mechanical handling of unit loads

The special technical documents in accordance with Annex VII Part B have been created. We undertake to provide the special documents to national authorities in electronic form upon justified request.

Person resident in the Community authorised to compile the relevant technical documents :
FIBRO GMBH, Wendelin Leist, August-Läpple-Weg, 74855 Hassmersheim, Germany

74855 Hassmersheim, Germany

Date:

Dr. Felix Schuler
Head of international product management, standard parts

Wendelin Leist
Product Management Department

2.7834.01.1222.0100000

13.3 Maintenance plan

Interval [Years or h]		Qualification		Task	
3 / 15,000		Trained personnel		"Oil change"	

daily	weekly	monthly	quarterly	half-yearly	yearly	if required	Task
x							"Inspection of the product"
						x	"Cleaning the product"

14 INDEX

A

- Alignment 5
- angle profile
 - for clamping rail 28
- Assemblies 46
- ATEX 5
- atmospheres
 - potentially explosive 6

C

- Changes
 - technical 6
- clamping rail 28 29
- connection
 - electric 15 16
 - electrical 14
- connection cable 13
- connection socket 13
- control unit 13 14 15 16
- Conveying speed 14 15 16
- conveying speed 22
 - reduced 5 33 36
- Copyright 2
- countersink 33 36

D

- Damage
 - to the contents 19
 - to the packaging 19
- Danger sign 10
- Dangers
 - possible 8
- declaration of installation 50
- Dimensions 14 15 16
- Directive 2006/42/EC 50
- directives
 - other 50
- Distributor 41
- Documents
 - other applicable 6
- documents
 - technical 51

E

- electric transporter
 - components 12
- Energy consumption 14 15 16
- Engine protection 14 15 16

H

- Humidity
 - maximum 19

I

- Injuries
 - preventing 8

L

- Lubricant 45
- Lubricant quantity 45

M

- misuse 6
- models
 - available 12
- Mounting bracket
 - profile bar mounting 31
 - transporter mounting 30
- mounting holes
 - countersink 21
- Mounting tool 21

N

- Noise emission 14 15 16

O

- Oil cap 45
- oil cap 22
 - metal 32
 - plastic 32
- Operating conditions 5
- overload protection 14 15 16

P

- Packaging material 19
- person
 - authorised 51
- Personnel
 - instructed 9
 - qualifications 9
 - qualified personnel 9
 - trained 9 9
- Profile bar mounting
 - with retaining bars 35
 - with special screws 34
- Protection class 14 15 16

R

- Repair 19
- Returns 19

S

- Safety equipment 9
- Safety notices 8
- screws
 - grade 18
 - tightening process 18
- Service life
 - Operating hours 5
- Signal bar 8
- signal cable 13
- Signal word 8
- Staff
 - qualification 11

Standard

harmonised 51

standard

harmonised 50

Start / Stop 14 15 16

Storage temperature 19

Stroke length 14 15 16

T**technical documents**

special 51

Temperature range

Operation 5

thread lock 33

tightening torque

screws 18

tools 10

Transport damage 19

transport weight

maximum 14 15 16

Trough mounting

with sliding blocks 25 36

trough mounting

hanging 27 34 38

standing 26 34 37

trough slope 5 33 36

trough weight

maximum 14 15 16

U**Use**

intended 5 40 41

proper 5 6

use

proper 6

W

Warning system 14 15 16

washers

self-adhesive 33 36

Weight 14 15 16

More information at

<https://www.fibro.de/normalien/downloads/pdf-downloads/peripherie/>



FIBRO GMBH

Business Area Standard Parts
August-Läpple-Weg
74855 Hassmersheim
Germany
T +49 6266 73-0
info@fibro.de
www.fibro.com

THE LÄPPLE GROUP

LÄPPLE AUTOMOTIVE
FIBRO
FIBRO LÄPPLE TECHNOLOGY
LÄPPLE AUS- UND WEITERBILDUNG