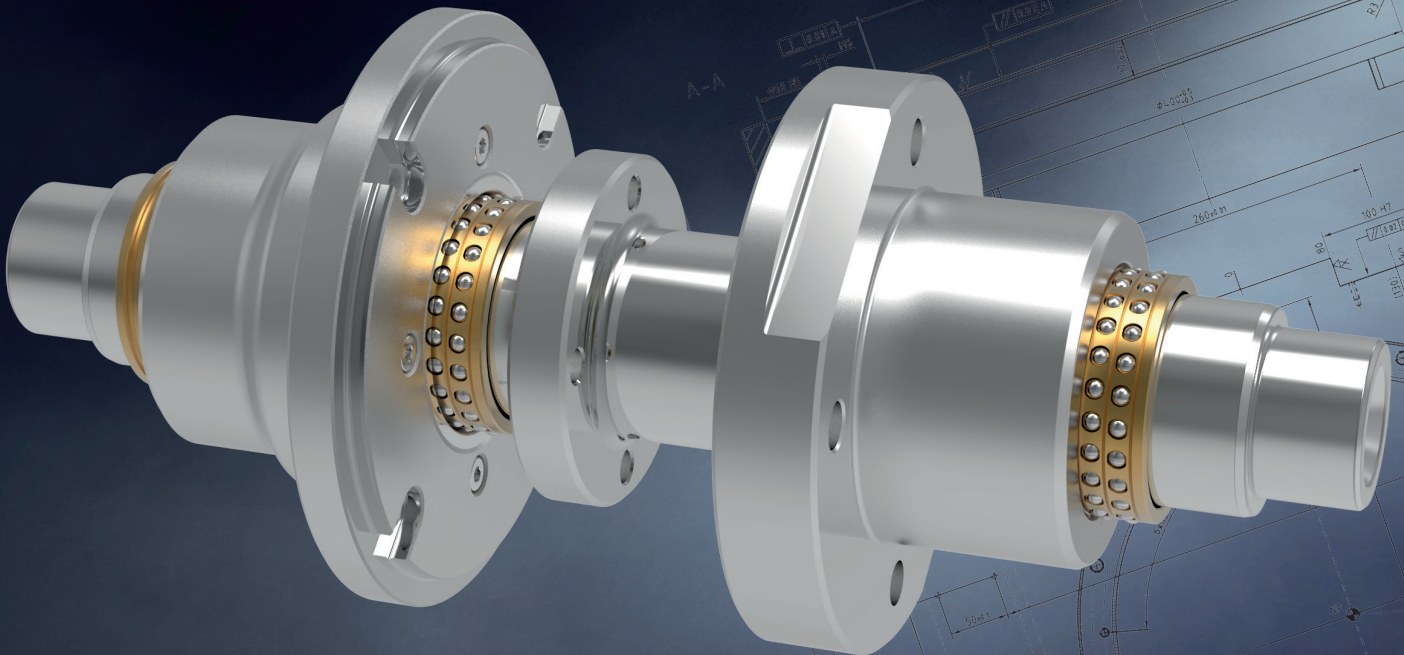


WE LOVE TECHNOLOGY



INDIVIDUAL SOLUTIONS
FOR YOUR APPLICATIONS



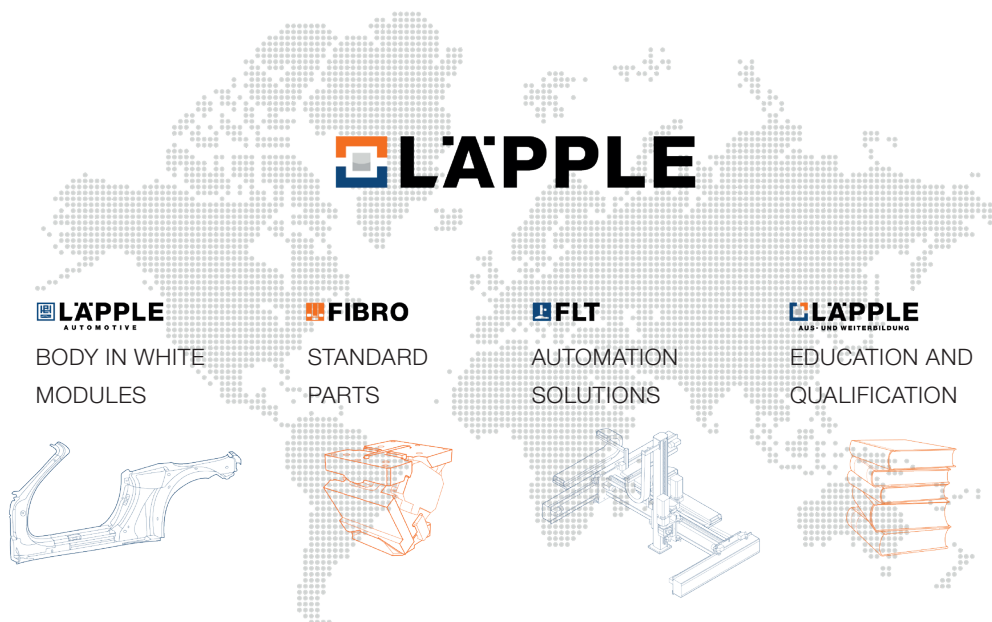
MEMBER OF THE LÄPPLE GROUP



FIBRO STANDARD PARTS PART OF THE LÄPPLE GROUP

LÄPPLE, a family-owned group of companies, provides our customers with high quality products and solutions throughout the entire global industrial value chain. Laepple's specialist companies offer an innovative and high-performance range of products, components and services to customers in the forming and bodywork, automation systems, mechanical engineering and tool making industries.

With extensive expertise and many years of experience, LÄPPLE is a reliable partner that understands its customers' interests and the developments on the market. Around 2100 employees develop, produce, sell and service a wide range of innovative products in the world's industrial regions.



WHO WE ARE

FIBRO STANDARD PARTS YOUR PRODUCTION PARTNER

As a leading company in the field of standard parts in tool shops, we offer a unique range of maximum precision products.

With over a million different items, of which 40,000 are continuously in stock and available at short notice, we are a guaranteed one-stop shop for tool manufacturers around the world.

The sophisticated quality requirements of our customers are fulfilled through the highest processing accuracies and minimum tolerances of our products.

The wide range of services we offer gives you multiple ways to access support from us: for example in direct contact via support with the appropriate product selection and design, by delivering all the necessary CAD data and seamless workflows in dispatch.

Profit from the combination of companies operating on the international stage, and specialist firms rooted in their specific regions.



over 600 employees



production plants in Germany, Italy, India and China



FIBRO branch offices in France, Poland, the USA, India, Singapore and Korea



a total of 45 representations



a quality management system in line with DIN EN ISO 9001



an environmental management system in line with DIN EN ISO 14001



AT FIBRO, WE UNDERSTAND CUSTOMER ORIENTATION.

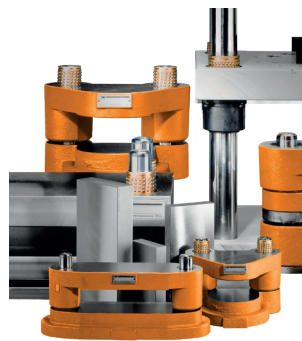
With a total of nine FIBRO production, sales and service companies and a total of over 45 representations, we are always right there for our world-wide customers and ensure the best possible level of service with the shortest response times.

TOP PRECISION AND RELIABILITY

FIBRO STANDARD PARTS PRODUCT PORTFOLIO

GUIDE POST FRAMES

The stable basis for your tools



PRECISION MACHINED PLATES AND FLAT BARS

Many dimensions for your ideas



LIFTING AND CLAMPING DEVICES

Safety for your tool transport



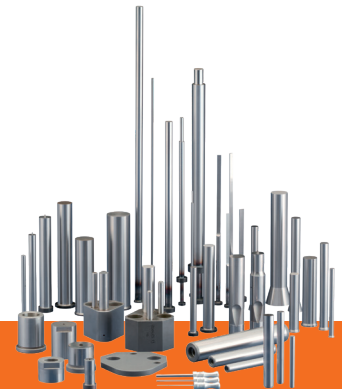
GUIDE ELEMENTS

Precision at the highest level



GROUND PRECISION COMPONENTS

The be-all and end-all



THAT IS THE STANDARD FOR US



SPRINGS

The right spring type for your individual requirements



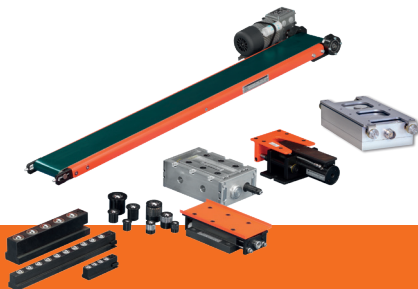
ELASTOMERS

Forming elements, buffers and die pad spools, including for unconventional requirements



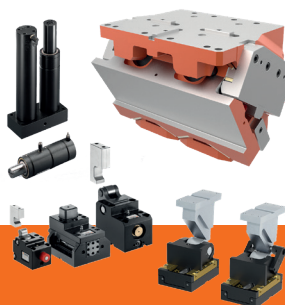
FIBRO CHEMICAL PRODUCTS

Processing accessories to support the tool shop



PERIPHERAL EQUIPMENT

Faster and more convenient changeover



CAM UNITS

System solutions for your application



STANDARD PARTS FOR MOLD CONSTRUCTION

WHAT YOU CAN EXPECT FROM US

WE ARE OFFERING STANDARD PRODUCTS ON MORE THAN 1000 CATALOG PAGES. ADDITIONALLY, WE ALSO MANUFACTURE APPLICATION-SPECIFIC SOLUTIONS. WHETHER STANDARD OR CUSTOMIZED, OUR PORTFOLIO IS MARKED BY THE FOLLOWING FACTS – YOUR ADDED VALUE IS ALWAYS TOP PRIORITY:



BROAD PRODUCT SPECTRUM EX WAREHOUSE

Whether plates and cleats, guide post frames, transport elements, ground precision parts, springs and gas springs, slides, guide elements or elastomers – we have the right solution to meet your needs.

HIGH-QUALITY STANDARDS AND NEW PRODUCTS

Decades of experience in the area of standard parts are the basis for continuous optimizations of existing products and the introduction of innovative new products.

INDIVIDUAL SOLUTIONS

If necessary, we will manufacture designs or special parts that deviate from the norms and standards for you – including from different materials (e.g., stainless steel). We offer the optimal solution for your production.

THAT'S WHAT WE STAND FOR

PRODUCTION SITES IN GERMANY, ITALY, INDIA AND CHINA

Product-dependent flexible preparation and finishing at our production sites. Especially with respect to precision guides, the greatest production depth exists at the European sites. We are using steel according to the European standard.

HIGH REQUIREMENTS FOR SUPPLIERS

Our suppliers meet the same high demands that we are committed to. This is how we ensure quality and sustainability right from the start.

QUALITY CONTROL & QUALITY ASSURANCE AT THE HIGHEST LEVEL

Experienced quality assurance creates trust: From microscopic testing of raw stock and control measurements during manufacturing to measuring final products in the micro-sector, we are

using high-precision testing tools to meet your and our standards of finish. Our customers value the experience and consistently high quality of our products – and profit from it.

CERTIFICATIONS

DIN EN ISO 9001, ISO 14001 and AEO

SELECTION GUIDES AND CONFIGURATION TOOLS

With our online product configuration tools and selection tools, you will find the right solution and product combinations for you. This saves time and helps prevent errors.

TECHNICAL CONSULTING

We are happy to advise you and develop solutions or optimizations to meet your specific requirements together with you.



WHEN STANDARD IS NOT GOOD ENOUGH

INDIVIDUAL SOLUTIONS

Our customers demand repeat precision accuracy and top quality with long service lives and process reliability. We already meet these demands with the standard portfolio.

However, especially in industries with very demanding environmental conditions, such as the food, medical, chemical, packaging or pharmaceutical industry, the demands on tools and components are extremely high.

As the manufacturer of a broad portfolio of standardized components and due to our many years of experience in different industries, we have the know-how to manufacture specialty items to meet your individual requirements. Innovation often requires more than the standard.



FINDING OPTIMAL SOLUTIONS TOGETHER

Whether slide and roller guides have diameters that deviate from the standards, are made of different materials or with special characteristics – we support you with our expertise from the initial idea to the final product.

CONTACT US FOR YOUR INDIVIDUAL SOLUTION:

- Guide pillars with other diameters and/or lengths
- Guide bushes with other inside and outside diameters and/or lengths
- Adapted individual preloads for roller guides
- Improved characteristics due to heat treatment
- Special coating processes
- Suitable sealing systems
- Special materials, for example those that are resistant or have a higher tensile strength

WE ARE HERE FOR YOU

COMPETENT CONSULTING FROM THE IDEA TO THE FINISHED PRODUCT



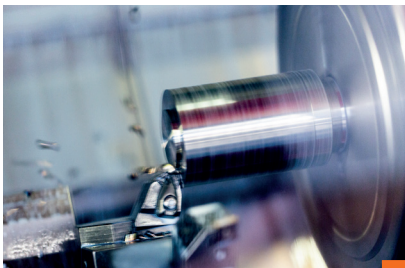
Concept and design support



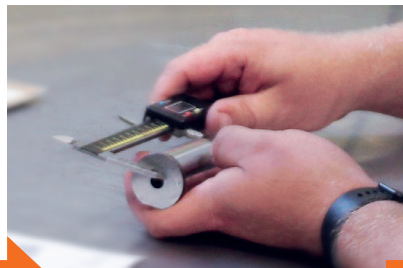
Product development from initial sample to final product



Continuous communication with our experts



Manufacturing at the highest level with customer-specific labeling and packaging



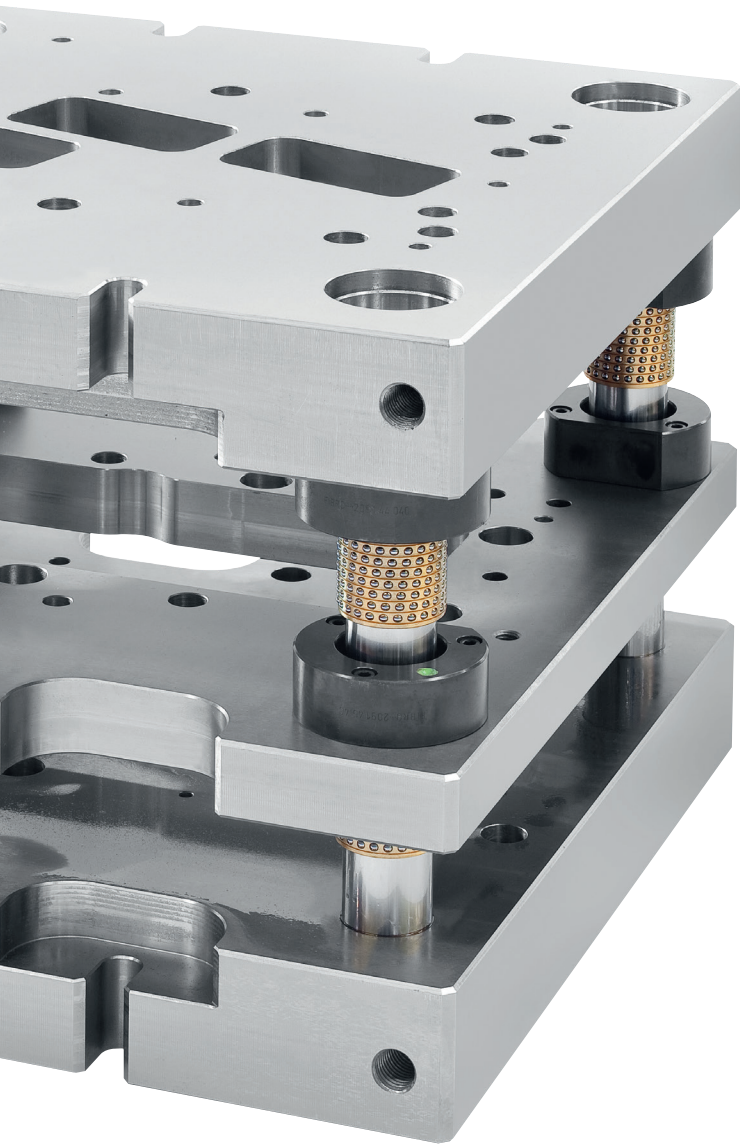
Technical documentation and quality assurance



Reliable customer service and delivery, including "just-in-time"



3 MORE FACTS THAT SPEAK FOR US:



A stable basis for your tools – and yet exactly according to your individual needs? Not a problem for us!

We manufacture GUIDE POST FRAMES AND GROUND PLATES WITH PARALLEL FACES to customer specification.

Top quality: With the various possibilities of our machine park, we manufacture your individual post frame to specifications – just the way you need it.

Individual manufacturing: Whether breakthroughs in plates, drill patterns, turning in and out or eroding contours – nearly everything is possible. To prevent warping on plates in case of post-processing, it is beneficial to let FIBRO take care of it.

Alternative materials or coatings: In addition to the conventional steel materials, aluminum is one of the possible alternatives. Plates are quite frequently DNC coated for special applications.

Alternative guides: Of course, our various available guides are also available to you – from the simple but robust slide guide to the high-end MILLION GUIDE guide unit.

WE HAVE THE SOLUTION



Extremely demanding environmental conditions place extremely high demands on tools and components. Guides made of **CORROSION-RESISTANT MATERIALS** are the solution.

Improved service lives: Standard products or individual designs made of corrosion-resistant materials meet even the highest demands and extend the service life and maintenance intervals of your products.

Various options: A large number of guides from the standard area can be implemented without a problem made from corrosion-resistant materials – which means perfectly adapted to meet your requirements.

For long travel distances with moderate loads, recirculating **BALL BUSHES** are an excellent alternative to ball guides. And those are our specialty and expertise.

Flexible use: The possible travel distance is limited only by the installation situation, not by the guide element.

Increased productivity: The high number of ball tracks permits a higher load compared to products offered by our competitors.

Reduced subsequent or maintenance costs: Due to the 2° slanted arrangement of the ball tracks, each ball runs on a separate track on the guide pillar/shaft. This has a significant impact on a longer service life of the guide.

PROCESSES OPTIMIZING TOGETHER



PARTCOMMUNITY

Information and CAD data for download – including for individually configured components and assemblies.



ECOMMERCE

One-Stop-Shop guarantee – with only a few clicks in the shopping cart and delivered to you in the shortest time possible.



DESIGN SUPPORT

Best possible support for the user-specific selection of the products by our competent employees and different selection tools/configuration tools.

Cam Units



Gas springs



Ground precision parts



Compression springs



IN ALL AREAS



LOGISTICS

A highly modern logistics center with driverless transport systems and fully automated high-bay warehouse provide highest possible delivery readiness.



QUALITY ASSURANCE

From measuring in manufacturing and material and harness testing to the final check – we are testing to meet your quality demands!



CUSTOMER SERVICE

Technical support, on-site set-up, repair service – our competence at work for you!



SYNCHRONIZED TOOL MANUFACTURING

We deliver exactly what you need! Use our commissioning offer and optimize your use of resources.



PRODUCTION / CONTRACT MANUFACTURING

We manufacture precisely to your specifications at top quality – use our know-how and our equipment!



TRAINING

At your site, at FIBRO or digital – targeted and flexible learning!



USE OUR KNOW-HOW ... AND OUR EQUIPMENT!

Our machine park is designed for the highly efficient manufacture of precision parts. This is your opportunity! With respect to FIBRO contract manufacturing, profit from our experience and unique manufacturing landscape.

Whether 5-axe processing center, high-precision jig boring machine or flat and cylindrical grinding machine, whether precision measuring, welding, turning, sandblasting or painting – our modern machine park offers optimal conditions for applications from widely varying industries.

SEND US YOUR SPECIFICATIONS – WE TAKE CARE OF THE REST

Based on your technical drawings, data and specifications, we will provide you with a comprehensive offer, with manufacturing times, delivery dates and costs that meet your requirements.

OUR MACHINE PARK – YOUR ADVANTAGE



Rotation



Sandblasting



Cylindrical grinding



Welding



Jig boring machines



Mills



Flat grinding



Painting



Coordinate measuring

TOP QUALITY



CERTIFIED PRECISION ON THE ENTIRE LINE

Only those who set strict rules for themselves are able to continuously support their customers when it comes to safety, efficiency and quality. From microscopic testing of raw stock and control measurements during manufacture to measuring final products in the micro-sector, we are using high-precision testing tools to meet your and our standards of finish.

We use regular audits to ensure the quality of our internal processes and steps. We thereby review sustainability and work safety as much as manufacturing competence, product quality and basic process workflows.

WE LOVE TECHNOLOGY

 **FIBRO**

FIBRO GMBH

Business Unit Standard Parts
August-Läpple-Weg
74855 Hassmersheim
GERMANY
T +49 6266 73-0
info@fibro.de
www.fibro.com

THE LÄPPLE GROUP

LÄPPLE AUTOMOTIVE
FIBRO
FIBRO LÄPPLE TECHNOLOGY
LÄPPLE AUS- UND WEITERBILDUNG

MEMBER OF THE LÄPPLE GROUP

 **LÄPPLE**